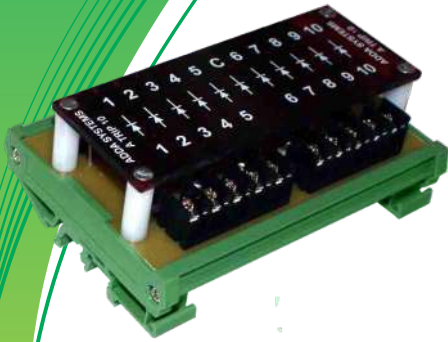


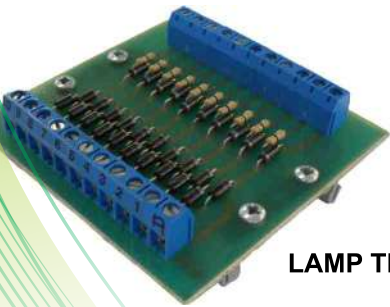
INTERFACE PRODUCTS

SECTION 7 ONLINE CATALOGUES INTERFACE PRODUCTS PSU CARDS



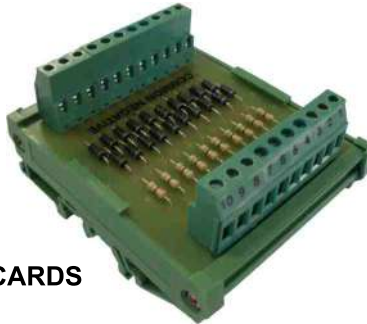
A-TRIP (10 WAY)

COMBINING MULTIPLE TRIP SIGNALS TO A SINGLE OUTPUT TO DRIVE A TRIP RELAY. ALSO AVAILABLE IN 3, 5 OR 8 WAY.

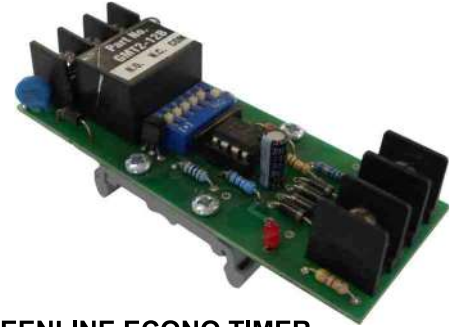


LT+ALARM FUNCTION

LAMP TEST CARDS



BOATED LT



GREENLINE ECONO TIMER
DIPSWITCH SELECTABLE FUNCTIONS
LED RELAY STATE INDICATION
LOW COST - HIGH RELIABILITY

SASB...SIMPLE ALARM CARD 8 WAY



ARM4P-ALARM ANNUNCIATOR CARD



WWW.MIMIC.CO.ZA

TC-PRO2400 (C2400)



S - Normally Stock
L - Limited Stock
O - Ex Order

TIMER / COUNTERS

- Timer / Counter
- 8-digit high resolution LCD(8mm high)
- Manual Reset & External Reset
- 23 functions(15 Timer functions,6 Counter functions, Frequency Meter &Tachometer)
- Unique battery cover design for easy battery replacement.
- Programable Reset button to prevent wrong-button push.
- Front Panel Protection: Ip66
- Rear Panel Protection: Ip20
- Power supply: Cr2 850mAh
- Operating Temp: -10°C+55°C
- Size: 48x24x45.7



TC-PRO48-Series

- Multi-fnction LCD digital Timer/Counter/Tachometer
- 6-digit LCD with back light display
- Ergonomic Key Design
- 5 key protection modes: KP-1KP-5
- NPN/PNP switchable DC-Voltage input
- Supports RS232/485/422 comms
- Supports MODBUS protocol and applied to connect HMI/ Text Panel/OPC/User defined Software
- 12VDC external power supply drives the external optical sensor; encoder, infrared switches.
- Highly visible display with backlit negative transmissive LCD
- Conform to the key design of ergonomics
- Five Key Protection Modes:KP-1~5 □
- EEPROM(overwrites:100,000 times min.)
- 12VDC external supply power can drive the external optical sensors, such as encoder, infrared switches etc.
- Applied to connect PC/HMI
- Weight: approx. 168



Ts4848 Digital Time Switch

- Provides basic mode (BSC) and advanced mode (ADV) for selection;
- Provides two independent output circuits;20 banks (groups) of operation times can be set for each circuit;
- Provides cyclic operation (CYCLIC) and pulse operation (PULSE);
- The operation time for each group (bank) can be set with random operation date;
- Temporary holiday settings function makes output ON/OFF conveniently on holidays;
- Provides summer time (DST) adjustment;
- Allows manual operation to control output ON/OFF directly;
- Provides Override and automatic return function
- Provides key protection function;
- The data information can be reserved for more than five years in case of power failure;
- Communication model supports modbus ASCII/RTU
- Provide PC software for setting conveniently.



FAB-2 Series PLC



S - Normally Stock
L - Limited Stock
O - Ex Order

PLC's

- CE approval
- 2 channel with RS485
- Supports Array text Panel
- Supports Modbus RTU protocol
- Power Indicator
- Improve RTC accuracy
- Improve PLC running speed
- Free programming Quick II software
- Removable panel with LCD
- FB programming and strong program storage capacity



SR Series PLC

- UL/CE approval
- Wireless remote control
- Supports Array text Panel
- Removable panel; cost saving
- Power failure protection(customised function)
- More compact, more powerful, flexible connection/ EHC
- Features 1k high-speed input port(customised function)
- 30 function blocks, the total amount of function blocks 128
- Telephone remote control, automatic dialing alarm and voice broadcasting.
- I/O can be extended freely, the optimum configurations 50DI, 30DO,8AI.
- 64 Human-Machine Interfaces, and the parameters can be displayed and modified directly.
- Power: AC110V-240V
- Degree of Protection: IP20

**SR-HMI (REMOVABLE LCD DISPLAY)**

32 Virtual Keys
64 Human-Machine Interfaces
Time, Input & Output State, Counter,
Alarming Interfaces etc

SR-22MRAC (22 I/O PLC UNIT)

14 Point AC or DC digital Inputs
8 point relay outputs
8 point transistor outputs (NPN / PNP)

SR-12MRAC (12 I/O PLC UNIT)

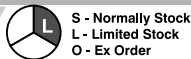
8 Point AC or DC digital Inputs
4 point relay outputs
4 point transistor outputs (NPN / PNP)

SH300 Text Display

- Display screen 4.3"STN - LCD Display screen
- Contrast Adjustable resistor
- Memory 110KB Flash ROM
- Communication Port PC Rs232 & PLC RS485/422 & PLC RS232
- Function button 14 freely configurable keys
- Allowable power disruption ≤ 20 ms
- Installation hole Dimension 165×85mm
- Weight 260g
- Rated voltage 12 ~ 24VDC $\pm 10\%$ < 300mA
- Withstanding voltage test 500V AC 1minute(between signal and GND)
- Insulation resistance Over 10M ohm @ DC500V (between signal and GND)
- Operation ambient temperature -10°C ~ 60°C
- Operation ambient humidity 20~90% (no condensation)
- Storage temperature -20°C ~ 70°C
- Degree of protection IP65 (the front panel)



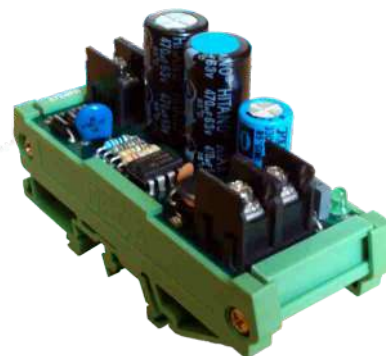
P24AC1 (24VAC to DC CONVERTER)



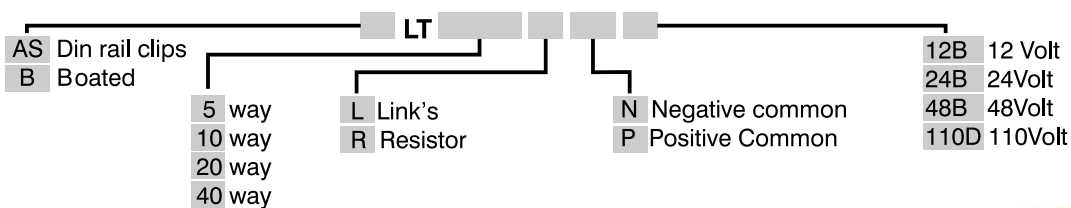
AC/DC CONVERTER

The P24AC1 is a rail mount switch-mode regulator for use on small 24Vdc systems. The regulator accepts an AC or DC voltage input and supplies a current limited, regulated 24Vdc at a nominal 500mA. The regulator has an LED output indicator to indicate the presence of an output voltage. The complete unit is a open - frame design in a rail mountable boat.

- Input Voltage Range: 24-29 Vac or 28-40 Vdc
- Output Voltage: 24Vdc ± 5%
- Output current (limited): 500mA @ 24Vdc
- Output Ripple: <80mV (ptp)



LAMP TEST CARD



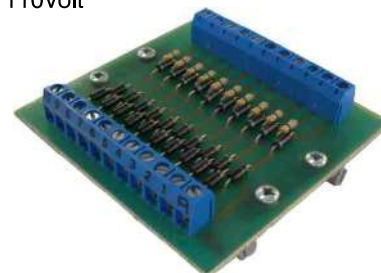
Mimics Lamp Test Cards are available in either a bare board economy format, normally with wire protected terminals or mounted in a PCB boat normally with higher capacity raising clamps terminals. The part no's with resistors are designed to operate a single LED at 17mA. If your pilot lights operate at supply voltage please order a LINK type card.

Link used on our boards

This is a zero ohm resistor marked with a single black band = 0W



- 24V DC is standard
- Raising Clamp Terminals or Boated options
- DIN Rail mountable
- 5 way
- 10 way
- 20 way
- 40 way
- Voltages 12, 24, 48, 110 & 220VDC



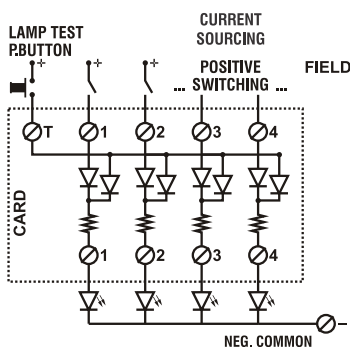
LT+ALARM FUNCTION



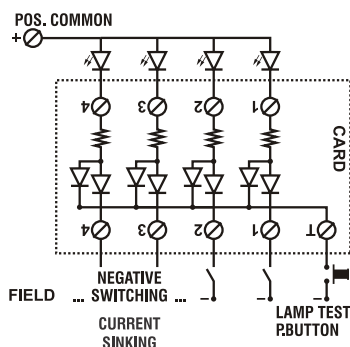
BOATED LT

Typical diagrams for LEDs

(FOR LAMPS THERE ARE NO RESISTORS)

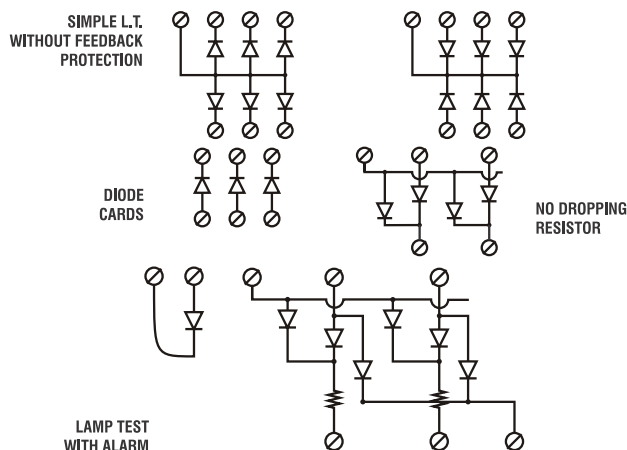


TYPE A
NEG. COMMON - POS. SWITCHING




TYPE B
POS. COMMON - NEG. SWITCHING

Other options:-



ATRIP-3 (3 way)

 S - Normally Stock
L - Limited Stock
O - Ex Order

ATRIP-5 (5 way)

ATRIP-8 (8 way)

ATRIP-10 (10 way)

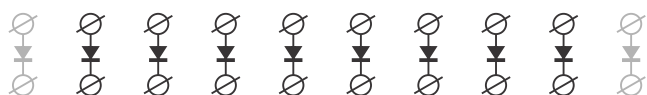
Pictured is a 10 way diode board that can be supplied in 2 formats, for mounting on DIN Rail. Normally used for combining multiple TRIP signals to a single output to drive a Trip Relay.

- 3, 5, 8, 10 Way Board Options
- 25A Diodes
- 1600V VRRM
- 0.34 kA LFSM (10msec)
- I^2t - 580 A²s
- DIN Rail mounting

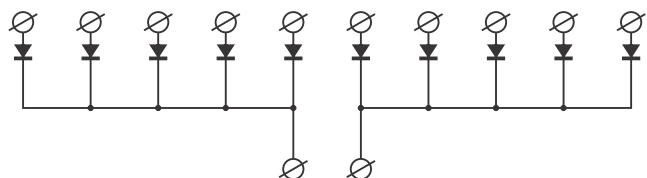


Symbol	Ratings	Unit
V_{RRM}	800-1600	V
I_{RRM}	6	mA
$I_{F(AV)} (^{\circ}C)$	25 (120)	A
I_{FRMS}	39	A
$I_{FSM} (10ms)$	0.34	kA
I^2t	0.58	A ² s 10 ³
V_{FM} / I_{FM}	1.35 / 78	V / A
$V_{T(TO)}$	0.90	V
PRSM 100mks	2.5	kW
T_{jmax}	160	^o C
$R_{th(j-c)}$	1.100	^o C / W
M_d	0.9-1.1	Nm
w	0.006	kg

a). As 5,8 or 10 individual diodes.



b). As two groups of 5 diodes with anodes connected to a common.



NCH8-20



S - Normally Stock
L - Limited Stock
O - Ex Order

HOUSEHOLD CONTACTOR

NCH8-40/20

NCH8-20 household AC contactor is mainly applicable to a power system of AC 50Hz or 60Hz, rated working voltage up to 230V, and in a line of application class AC-7a with rated working voltage up to 230V and rated working current up to 20A. It is used to remotely close and/or switch off the line. The product is widely used in dwelling houses, hotels and so on. Its main performance indices is in conformity with that specified in code IEC1095.



- Electrical ratings: up to 20A, 25A, 40A, 63A, 230V, AC50/60Hz.
- Utilization category: AC-1, AC-7a, AC-7b
- Standard: IEC / En61095
- Compact design and modularization design
- Insulation material with excellent performances has been adopted to enhance the operation security to a great extent
- Elegant appearance
- Mechanical lifetime: Not less than 1×10^5 times
- Electrical lifetime: Not less than 3×10^4 times

SP Series

POWER SUPPLY UPS FUNCTION

Compact design, small size and light weight. High efficiency and good reliability. Internal EMI filter. Power Output LED Indicator. Remote Control Function.
Input Voltage: 100-240VAC, 50/60Hz
Output Voltage: 24V
Rated Power: 36W
Output Current: 1.5A

- Cost effective power supplies with
- UPS function
 - Adjustable current limit protection
 - "Soft start".
 - Wide input voltage range (85-264VAC, 120-370VDC)
 - Output voltage adjustable (-5%~+10% by potentiometer V).

SP-05A5 - 5VDC 6amp
SP-12AS - 12VDC 3amp
SP-24AS - 24VDC 1.5amp
Dimensions: 71x106x65mm

SP-05AL - 5VDC 10amp
SP-12AL - 12VDC 6amp
SP-24AL - 24VDC 3amp
Dimension: 126x106x65mm

BZ12V72POR - 12V 7.2AH Battery (for UPS function)



PCB TERMINAL BLOCKS

While industrial controls become more and more complex and important, the interface modules are utilized as the improved solution to replace traditional single wiring usage. The diverse interface units are taken to convert signal between flat ribbon cable connector with screw type terminal, D-Subminiature connector with screw type terminal, and the relay with screw type terminal.

By applying wire technology and compact design, the interface units provide advantages on integration, space saving, flexibility, and costing efficiency. The interface modules, which are widely adapted, are considered the simple, convenient, economic and tech-oriented alternative for all common PLC's.

We stock a wide range of terminals.
Please contact us to discuss your requirements.



JOHANNESBURG



MIMIC COMPONENTS

ELECTRICAL & ELECTRONIC
WHOLESALE DISTRIBUTORS
SOUTHERN AFRICA

Address

5 Ramsay Street, Booyens,
2091 Johannesburg,
South Africa

P.O. Box 38493 Booyens,
2016 South Africa

Telephone

Switchboard: +27 (0)11- 689-5700
Fax: +27 (0)11- 493-8821

Email: sales@mimic.co.za

Website: www.mimic.co.za

CAPE TOWN



MIMIC CAPE

ELECTRICAL & ELECTRONIC
WHOLESALE DISTRIBUTORS
SOUTHERN AFRICA

Address

Unit 41A, Stella Park,
57 Stella Road, Montague Gardens,
Cape Town, 7441, South Africa

PO. Box 36955 Chempet,
7442 South Africa

Telephone

Switchboard: +27(0) 21-551-8185
Facsimile: +27(0) 21-551-8169

Email: anje@mimics.co.za

Website: www.mimic.co.za



MIMIC COMPONENTS sales@mimic.co.za www.mimic.co.za TEL: (011) 689-5700
5 Ramsay Street, Booyens 2091, Johannesburg P.O. Box 38493, Booyens 2016, Johannesburg, South Africa FAX: (011) 493-8821



MIMIC CAPE anje@mimics.co.za www.mimic.co.za TEL: +27(0)21-551-8185 FAX: +27(0)21-551-8169
Unit 41A, Stella Park, 57 Stella Road, Montague Gardens, Cape Town 7441. PO Box 36955 Chempet 7442, South Africa